

SPECIFICATIONS:

CONSTRUCTION: Heavy duty 11 and 14 Gauge steel cabinet finished with a dark blue chemical resistant polyurethane paint, manually activated reverse jet pulse, 3' x 4' table area with steel flat bar grate, and a built in motor/blower system with a 250 fpm downdraft velocity.

AIRFLOW: 3000 CFM @ 3" w.g.

ELECTRICAL: 5 HP 230/460/3/60

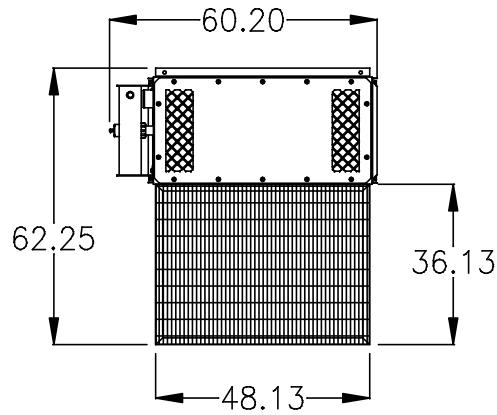
WARRANTY: 2 Year on all parts except filters

PREFILTERS: (2) Baffle filters, Std.
(3) Metal Mesh, Opt.

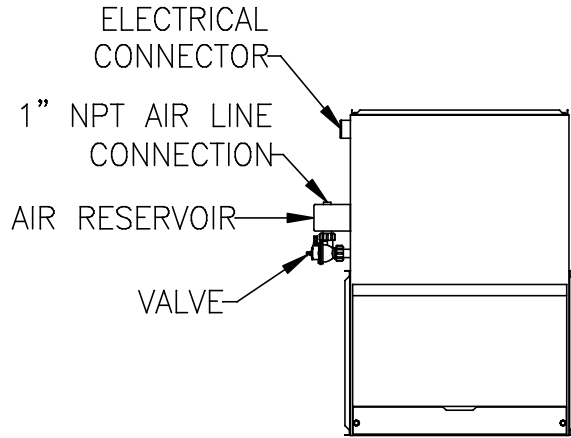
MAIN FILTERS: (3) 30" 80/20 Cellulose Polyester, Std
(3) Washable Spunbond, Opt.

AFTERFILTERS: (2) 12" 99.97 HEPA, Opt.

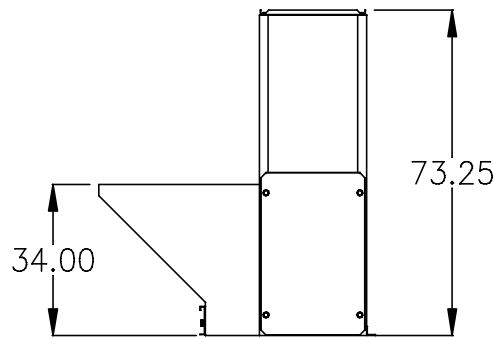
OPTIONS: Automatic pulse cleaning system
Dust-Tite lights
Side shields
3" Castor wheels
Magnehelic gauge
Aluminum grating
Fiberglass grating



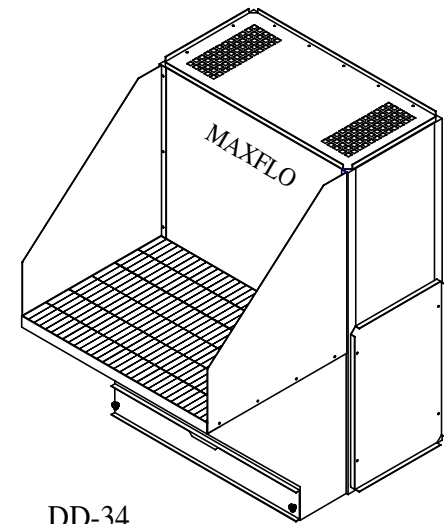
TOP VIEW



FRONT VIEW



SIDE VIEW



DD-34

Diversified Air Systems, Inc. (502) 267-0333 email: info@diversair.com website: www.diversair.com		TITLE: MAXFLO DD-34	
		SCALE:	DATE: 070912