

DIVERSIFIED AIR SYSTEMS, INC.

MAXFLO™-BBD

Blow Back Dampers

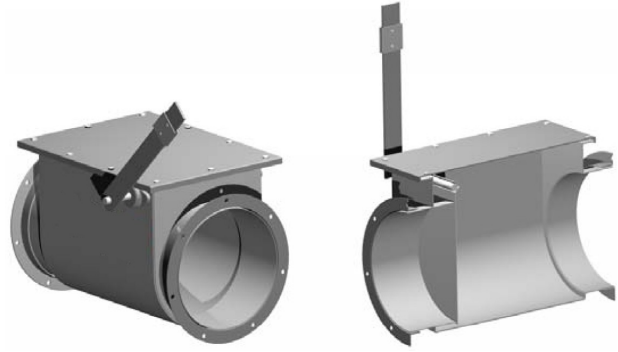
- **Standard sizes range from 6" to 42", custom sizes available**
- **12 gauge construction**
- **Weighted counter balance with hinged bearing**
- **Gravity operated**



- **Slip or flanged collars**
- **4 mil polyurethane paint**
- **Access view port**
- **Easy to install, Low maintenance**

Superior technology generating substantial operating savings

Diversified Air Systems' line of MAXFLO blow back dampers range from 6" to 42". They are commonly referred to as an explosion isolation device, passive isolation device, and passive float valve or deflagration device as defined by NFPA 69. Blow back dampers are used on the inlet of hazardous collectors. A hinged door swings open under vacuum and drops closed via gravity when the blower is turned off. An adjustable counter balance arm aids in opening and closing the valve plate. This ensures no re-entrainment occurs when the blower is off. It also insures a seal if a fire occurs stopping the smoke from returning to the shop via the ductwork. Heavy duty construction. Custom sizes are available.



Note: Specifications listed above may be modified to suit application. contact D.A.S. or representative for information.

Diversified Air Systems, Inc.

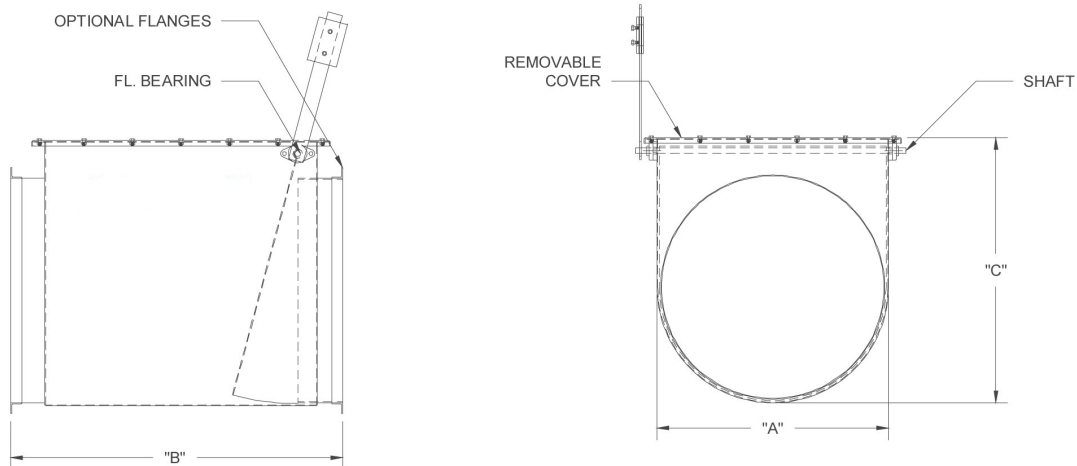
10801 Electron Drive, Louisville, Kentucky 40299

Toll free: **(800) 264-8958**

Tel.: **(502) 267-0333** • Fax: **(502) 267-4241**

Website: www.diversair.com • email: info@diversair.com

| MODEL | A | B | C | Weight (lbs.) |
|--------|----|----|--------|---------------|
| BBD-6 | 7 | 19 | 9 1/2 | 36 |
| BBD-7 | 8 | 20 | 10 1/2 | 47 |
| BBD-8 | 9 | 21 | 11 1/2 | 53 |
| BBD-9 | 10 | 22 | 12 1/2 | 59 |
| BBD-10 | 11 | 23 | 13 1/2 | 65 |
| BBD-11 | 12 | 24 | 14 1/2 | 72 |
| BBD-12 | 13 | 25 | 15 1/2 | 80 |
| BBD-13 | 14 | 26 | 16 1/2 | 89 |
| BBD-14 | 15 | 27 | 17 1/2 | 99 |
| BBD-15 | 16 | 28 | 18 1/2 | 110 |
| BBD-16 | 17 | 29 | 19 1/2 | 122 |
| BBD-17 | 18 | 30 | 20 1/2 | 135 |
| BBD-18 | 19 | 31 | 21 1/2 | 149 |
| BBD-19 | 20 | 32 | 22 1/2 | 164 |
| BBD-20 | 21 | 33 | 23 1/2 | 178 |
| BBD-21 | 22 | 34 | 24 1/2 | 193 |
| BBD-22 | 23 | 35 | 25 1/2 | 209 |
| BBD-23 | 24 | 36 | 26 1/2 | 226 |
| BBD-24 | 25 | 37 | 27 1/2 | 244 |
| BBD-25 | 26 | 38 | 28 1/2 | 262 |
| BBD-26 | 27 | 39 | 29 1/2 | 282 |
| BBD-27 | 28 | 40 | 30 1/2 | 302 |
| BBD-28 | 29 | 41 | 31 1/2 | 324 |
| BBD-29 | 30 | 42 | 32 1/2 | 348 |
| BBD-30 | 31 | 43 | 33 1/2 | 374 |
| BBD-32 | 33 | 45 | 35 1/2 | 402 |
| BBD-34 | 35 | 47 | 37 1/2 | 432 |
| BBD-36 | 37 | 49 | 39 1/2 | 464 |
| BBD-38 | 39 | 51 | 41 1/2 | 498 |
| BBD-40 | 41 | 53 | 43 1/2 | 536 |
| BBD-42 | 43 | 55 | 45 1/2 | 576 |



Note: Specifications listed above may be modified to suit application. contact D.A.S. or representative for information.

Diversified Air Systems, Inc.

10801 Electron Drive, Louisville, Kentucky 40299

Toll free: **(800) 264-8958**

Tel.: **(502) 267-0333** • Fax: **(502) 267-4241**

Website: www.diversair.com • email: info@diversair.com